



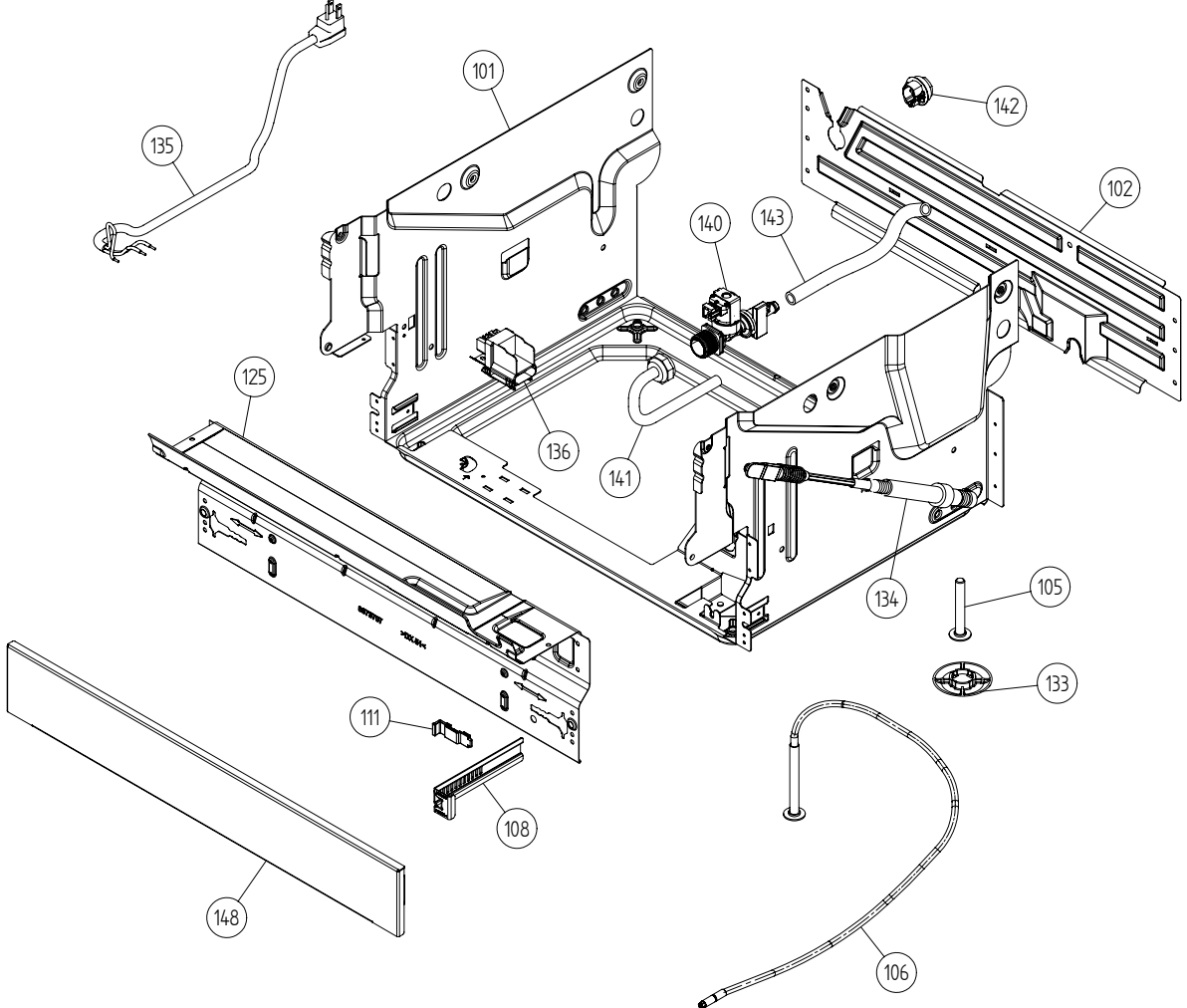
## Spare Parts Catalogue

Dishwashers \ 3000XL Series  
Type: DW20.3  
Model: D3432 XL US SS Bi

Prod. No: 107343241  
April 14th 2005

**AM Appliances Group**

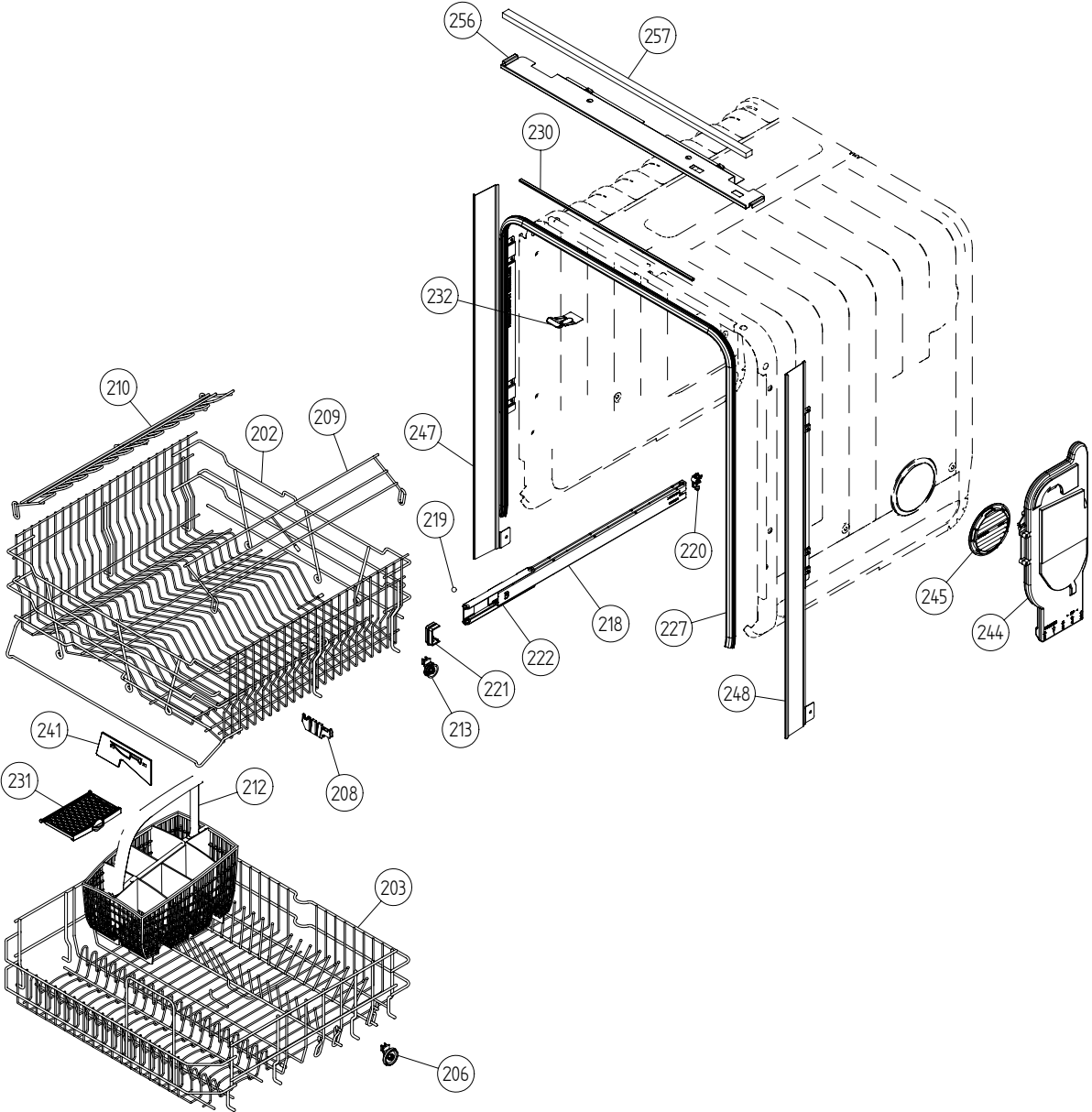
P.O. Box 851805 • Richardson • TX 75085-1805  
789 N. Grove Road • Suite 103 • Richardson • TX 75081



## **Base and related parts**

### **ASKO, D3432 XL US - SS Bi (DW20.3)**

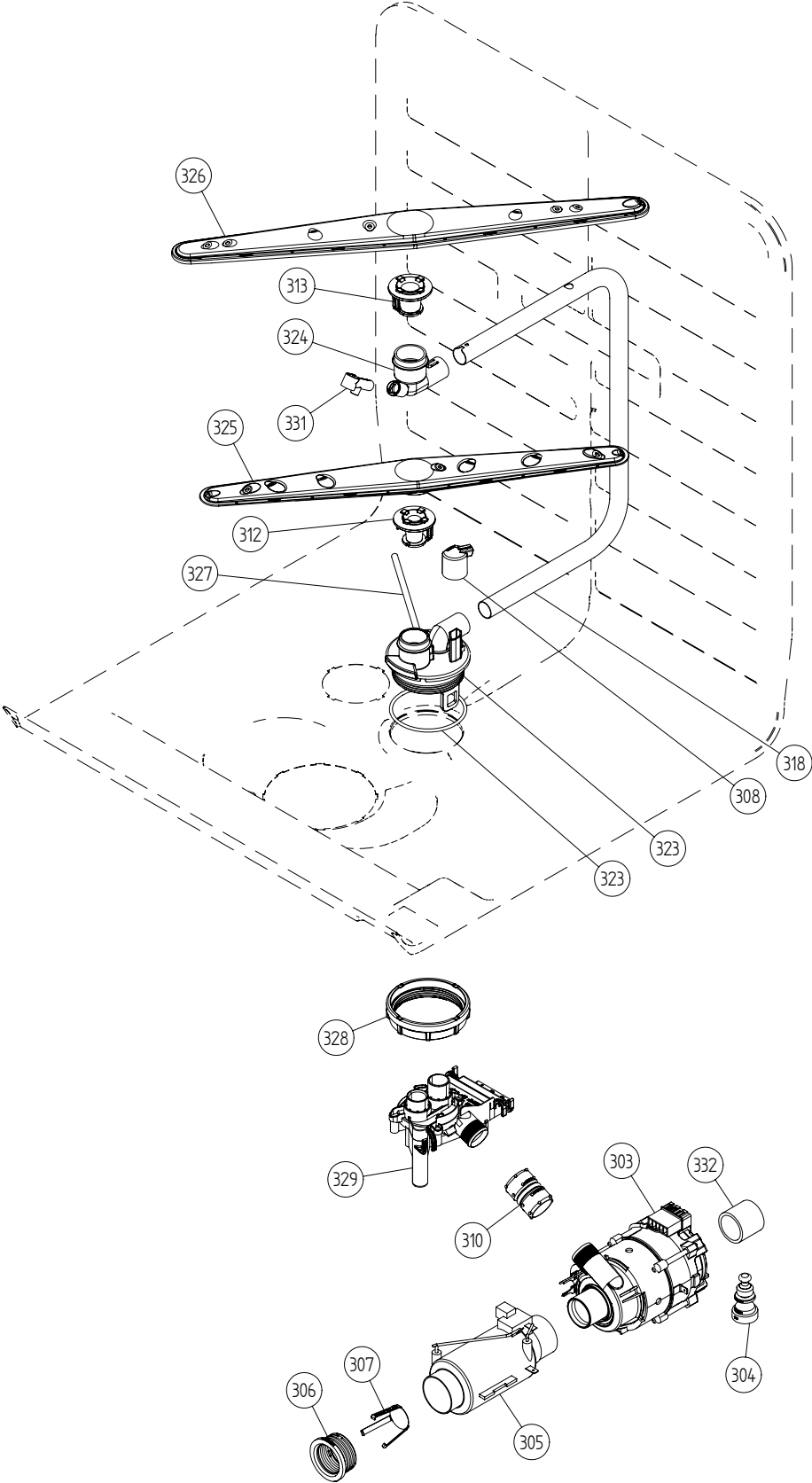
<b>Pos</b>	<b>Spare part No.</b>	<b>Description</b>	<b>Qty</b>	<b>Comment</b>
101	8074450	Bottom Outer DW20	1 Pcs	
101-a	8901104	Screw 20 Torx Machine	2 Pcs	
101-b	8901110	Screw w/ORing DW 05/06 25T	4 Pcs	
102	8073880	REAR PANEL	1 Pcs	
102-a	8902357	Screw	5 Pcs	
105	8074228	Foot	2 Pcs	
106	8073647	FOOT ADJUSTABLE FROM FRONT CPL	1 Pcs	
108	8073480	Toe Kick bracket Right & Left	2 Pcs	
111	8073481-49	Spring Kicking Plate L. Gray	2 Pcs	
125	8073707	Proection Plate	1 Pcs	
125	8076822	GUARD PLATE	1 Pcs	
125-a	8902357	Screw	4 Pcs	
133	8051957	Slide foot 02 DW	3 Pcs	
134	8060232-77	Door Spring Heavy Duty DW	2 Pcs	
135	8073774	Cord Set	1 Pcs	
136	8073781	TERMINAL BLOCK D3000 W/ RFI	1 Pcs	
136-a	8902131	Screw	1 Pcs	
140	8073825	Inl. Valve Single 120V Sens.	1 Pcs	
140-a	8052189	Hose Clamp Squeeze	1 Pcs	
141	8073879	Fill hose quick connect	1 Pcs	
142	8006948	Grommet	1 Pcs	
143	8074230	Rubber Hose	1 Pcs	
143-a	8052189	Hose Clamp Squeeze	2 Pcs	
148	8073506	KICK-PLATE USA 86CM	1 Pc's	
148	8073506-81	kick plate metallic	1 Pcs	



## **Baskets and related parts**

### **ASKO, D3432 XL US - SS Bi (DW20.3)**

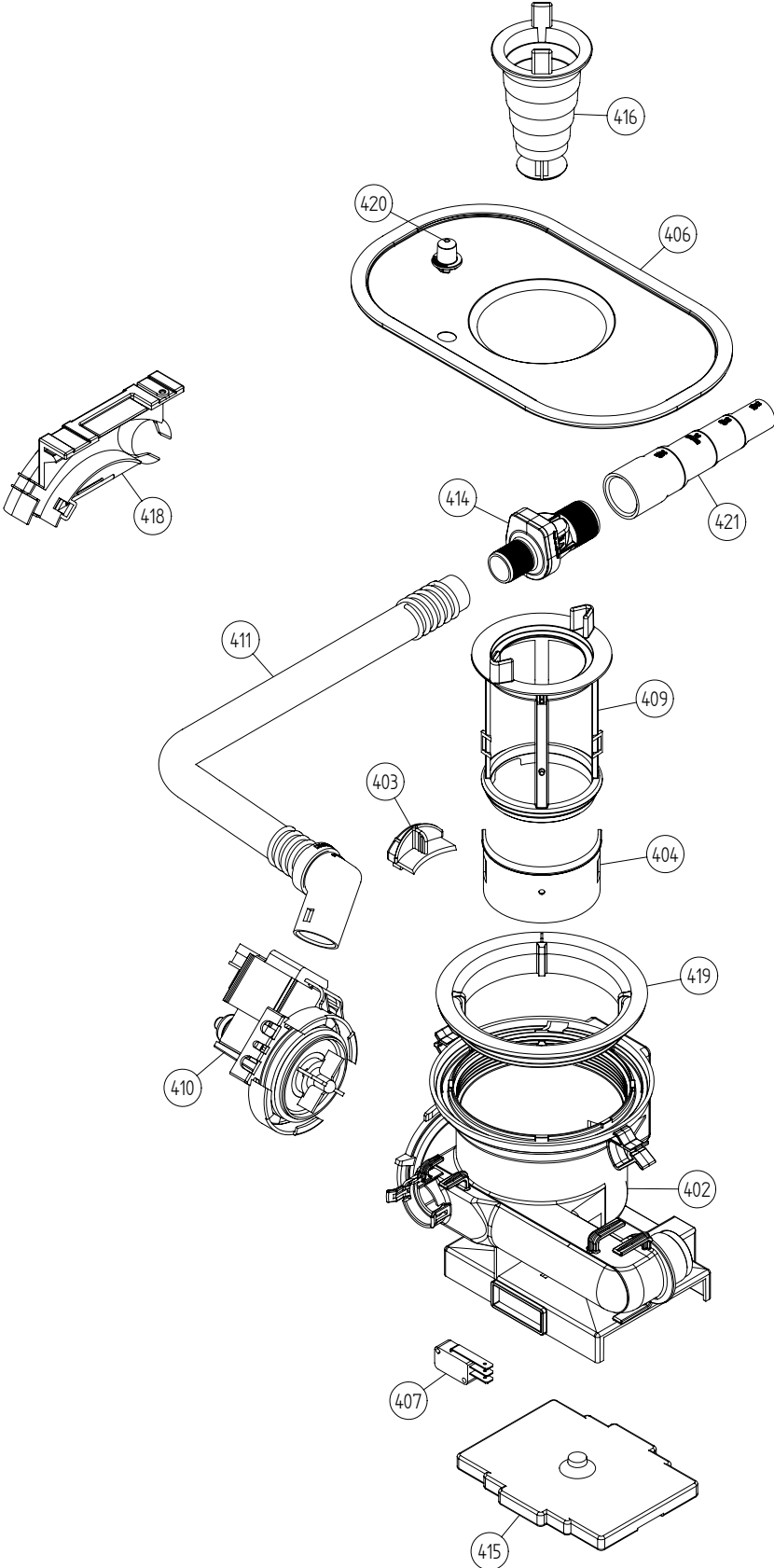
<b>Pos</b>	<b>Spare part No.</b>	<b>Description</b>	<b>Qty</b>	<b>Comment</b>
201	8057056	-	1 Pcs	Not a spare part
202	8801236-36	Upper Basket Gray	1 Pcs	
203	8801237-36	Lower Basket Gray	1 Pcs	
203-a	8801287-36	KIT PIN ROW STD DARK GREY	1 Pcs	
206	8009516-77	Rack Wheels Lower 05/06 DW	8 Pcs	
208	8071214-77	Knife Holder 05/06 DW	2 Pcs	
209	8071336-36	Cup Shelf 05/06 DW	1 Pcs	
210	8071337-36	Cup Shelf Wine Glass 05/06 DW	1 Pcs	
212	8801239-77	Cutlery Basket incl. Door	1 Pcs	
213	8058498-77	Wheel Upper Basket 05/06 DW	4 Pcs	
218	8057052	Guide Rail 05 06 DW	2 Pcs	
219	8057977	Bearing Upper Rail 05/06 DW	8 Pcs	
220	8057978-77	Rail Stop Back Grey 05/06 DW	2 Pcs	
221	8057979-77	Rack Stop Grey 05/06 DW	2 Pcs	
222	8058638-77	Ball Holder Upper Rail DW	2 Pcs	
225	8057978-77	Rail Stop Back Grey 05/06 DW	2 Pcs	
227	8057489-E	SUBS TO 8057489	1 Pcs	
230	8071257	Edge Guard	1 Pcs	
231	8072986-77	Door Cutlery Basket	1 Pcs	
232	8801240	Lock Catch incl. Screw&Nut	1 Pcs	
241	8057506-77	Knife Stop	1 Pcs	
244	8057514	Sub To 8801234	1 Pcs	
244-a	8052189	Hose Clamp Squeeze	1 Pcs	
245	8057536-77	Lockring Airbreak Gray	1 Pcs	
247	8074342-E-95	Trim strip left 3000xl	1 Pcs	
247-a	8900646	Screw 20 Torx SS	2 Pcs	
248	8074343-E-95	Trim strip right 3000xl	1 Pcs	
248-a	8900646	Screw 20 Torx SS	2 Pcs	
256	8075663-95	trim rail 3000xl	1 Pcs	
257	8075664	sealing stripe 3000xl	1 Pcs	



## Wash system

### ASKO, D3432 XL US - SS Bi (DW20.3)

Pos	Spare part No.	Description	Qty	Comment
301	8073502	-	1 Pcs	Not to be ordered
303	8073813	Circ. Pump 120V 60HZ	1 Pcs	
303-a	8075380	capacitor D3000	1 Pcs	
304	8075130	Rubber Damper Circ. Pump	1 Pcs	
305	8073785	Heating Element 1200W 120V	1 Pcs	
306	8073702	Element Transmutation	2 Pcs	
307	8075070	INSERT FOR HEATER	1 Pcs	
308	8073385-77	Cup Drainage Gray	1 Pcs	
310	8072888	Hose Circ. Pump	1 Pcs	
310-a	8056491	Hose Clamp Squeeze	2 Pcs	
312	8076901-77	SPRAY ARM BEARING L. GREY UL4	1 Pcs	
312	8072728-77	Spray Arm Bearing L. Gray	1 Pcs	
313	8076903-77	SPRAYARM BEARING UPPER UL4	1 Pcs	
313	8801268	KIT SPRAYARM BEAR. UPPER DW20	1 Pcs	
318	8073387	Spray Pipe	1 Pcs	
323	8076900-L-77	SPRAYTOWER L. SPRAY NOZZLE UL4	1 Pcs	
323	8801270	KIT SPRAYARM BEAR. LOW NOZZLE	1 Pcs	
323-a	8901765	ORing det. Comp. 03/04 DW	1 Pcs	
324	8801268	KIT SPRAYARM BEAR. UPPER DW20	1 Pcs	
324	8076902-L-77	SPRAYTOWER U. SPRAY NOZZLE UL4	1 Pcs	
325	8072891	Spray Arm Lower Complete	1 Pcs	
326	8072894	Spray Arm Upper Complete	1 Pcs	
327	8073381	Tube Pot Rinse	1 Pcs	
327-a	8902085	Screw 20T for Plastic	2 Pcs	
328	8071607	Lockring Spray Pipe Bearing	1 Pcs	
329	8075936	INTERMEDIATE WELDED	1 Pcs	
329	8073823	INTERMEDIATE	1 Pcs	
329-a	8075071	ORing	2 Pcs	
331	8072543-77	Spray Nozzle	1 Pcs	For part no 8073381 and 8072730-L-77
332	8075420	Hose	1 Pcs	
332-a	8052189	Hose Clamp Squeeze	2 Pcs	

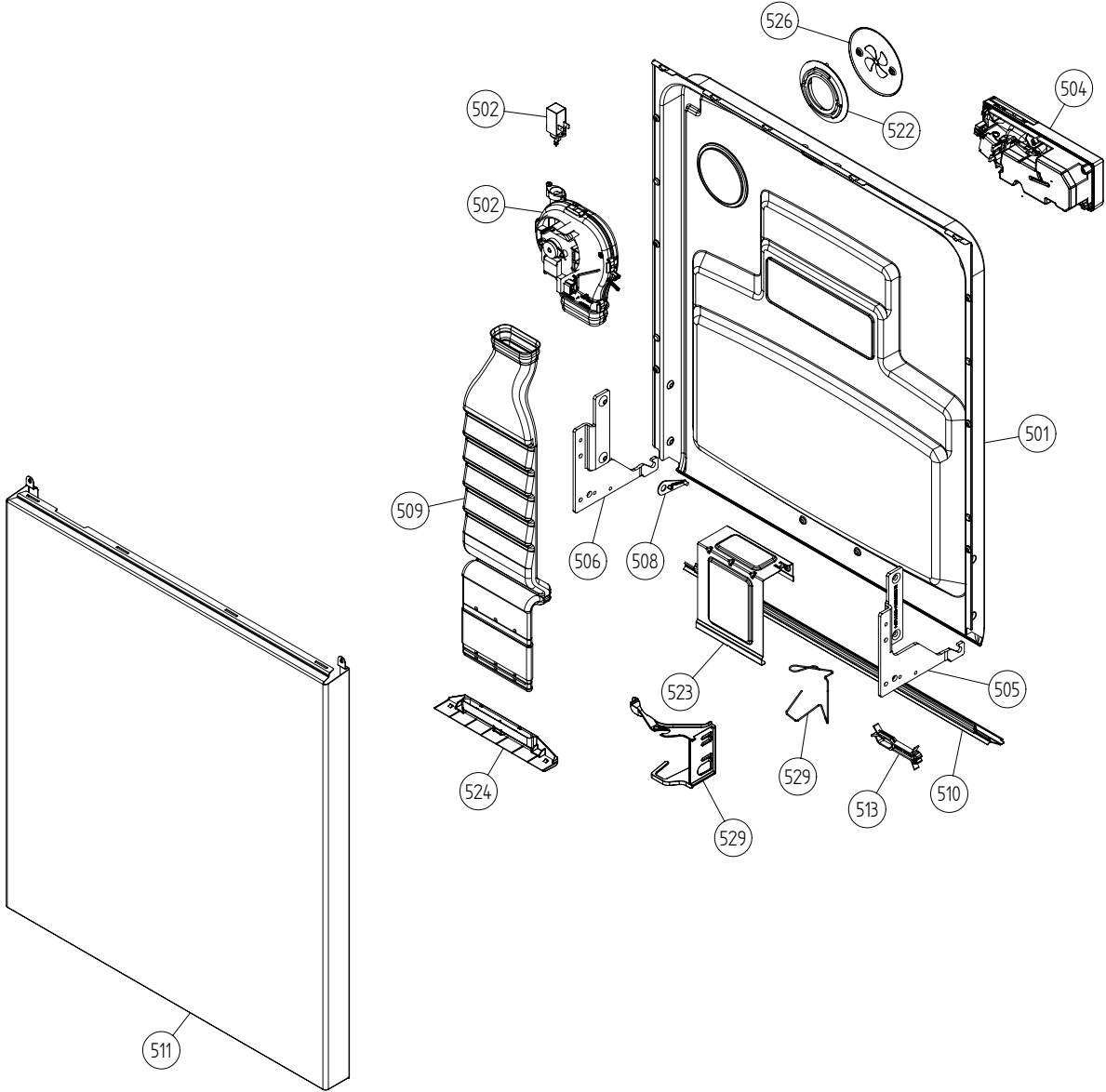




## **Bottom well and related parts**

### **ASKO, D3432 XL US - SS Bi (DW20.3)**

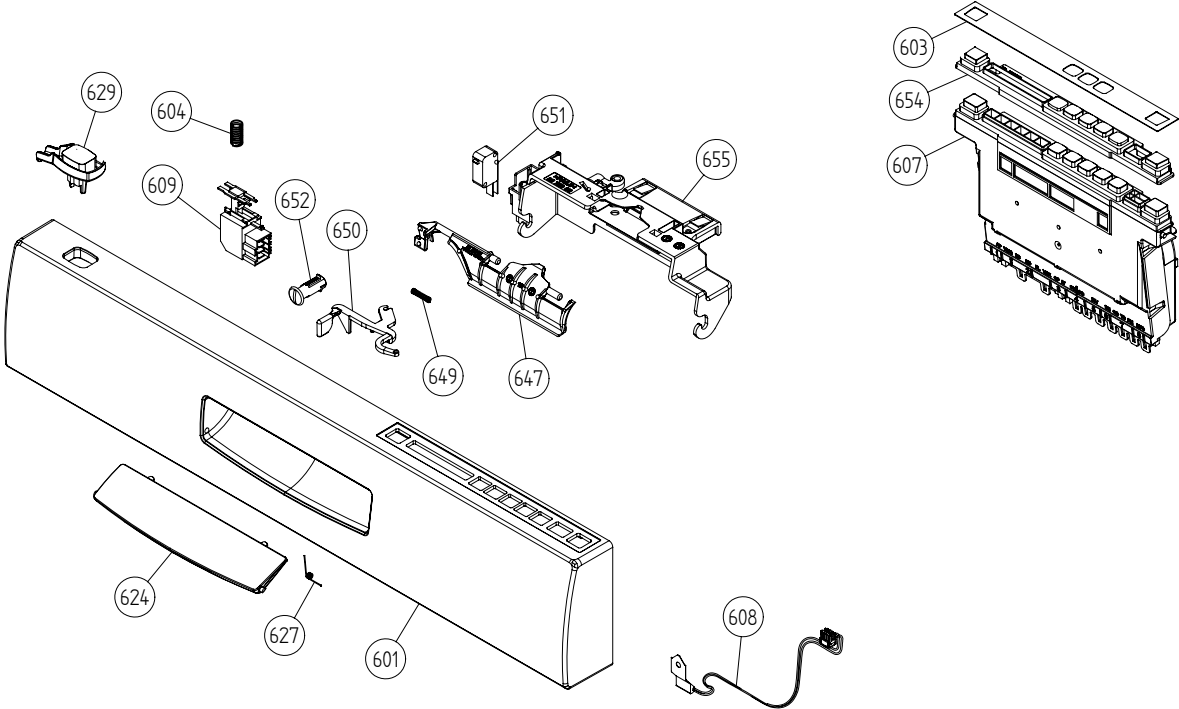
<b>Pos</b>	<b>Spare part No.</b>	<b>Description</b>	<b>Qty</b>	<b>Comment</b>
402	8073690-77	Bottom Well w/o Sensor	1 Pcs	
402-a	8073002	ORing	1 Pcs	
403	8057487-79	Sump Plug DW 05/06 Cleanout	1 Pcs	
404	8058454	Cover Str. Basket 05/06 DW	1 Pcs	
406	8074252	Use 8074364	1 Pcs	
406	8074364	STRAINER DW20	1 Pcs	
407	8073835	MICROSWITCH FLOAT	1 Pcs	
409	8073396-77	INSERT STRAINER BASKET	1 Pcs	
410	8073818	Drain Pump	1 Pcs	
410-a	8002584	ORing Drain Pump 05/06 DW	1 Pcs	
411	8074030	Outlet Hose	1 Pcs	
411-a	8052239	Hose Clamp Squeeze	1 Pcs	
411-b	8052430	Cable Strip	1 Pcs	
414	8801248	Check Valve Kit	1 Pcs	
414-a	8052239	Hose Clamp Squeeze	1 Pcs	
414-b	8053642	Hose Clip	1 Pcs	
415	8075110	FLOAT	1 Pcs	
416	8057972-77	Strainer Basket Grey 05/06 DW	1 Pcs	
418	8072528-77	Holder Outlet Hose	1 Pcs	
418-a	8053642	Hose Clip	1 Pcs	
418-b	8052239	Hose Clamp Squeeze	1 Pcs	
418-c	33700450	Cable Strip	1 Pcs	
418-d	8902072	Screw	1 Pcs	
419	8072848	Lockring Bottom Well	1 Pcs	
420	8074760-77	Ventilator	1 Pcs	
421	8075321	End Cuff	1 Pcs	



## ***Inner door, panel and related parts***

### **ASKO, D3432 XL US - SS Bi (DW20.3)**

<b>Pos</b>	<b>Spare part No.</b>	<b>Description</b>	<b>Qty</b>	<b>Comment</b>
501	8801253	Inner door 3331XL	1 Pcs	
501-a	8900646	Screw 20 Torx SS	6 Pcs	
501-b	8902121	Screw	4 Pcs	
502	8073851	Fan Complete 120V	1 Pcs	
502-a	8058501	ORing Turbo Fan Dry 05/06 DW	1 Pcs	
502-b	8052778	WAX MOTOR DW 05/06	1 Pcs	
504	8073803	Combidisp. Reed Reay 120V	1 Pcs	
504-a	8071916	Subs to 8071918	1 Pcs	
504-b	8071917	CAP RINSE AGENT	1 Pcs	
504-c	8071918	Detergent Lid Complete	1 Pcs	
504-d	8072288	Sealing Strip Combbidisp.	1 Pcs	
504-f	8902087	Screw Plastic Housing 20 Torx	6 Pcs	
505	8057524	Hinge Right DW 05/06	1 Pcs	
505-a	8057530	Screw hinge 05	1 Pcs	
505-b	33500262	Nut Term Block	1 Pcs	
506	8057525	Hinge left DW 05/06	1 Pcs	
506-a	8057530	Screw hinge 05	1 Pcs	
506-b	33500262	Nut Term Block	1 Pcs	
507	8057530	Screw hinge 05	2 Pcs	
507-a	33500262	Nut Term Block	2 Pcs	
508	8057948	Slide washer hinge bearing 05	2 Pcs	
509	8057963	SUBS 8057963P	1 Pcs	
510	8060254	Lower SealInner Door 05/06 DW	1 Pcs	
511	8076933-95	Outer door 3000xl	1 Pcs	
511	8075341-95	subs to 807693395	1 Pcs	
511-a	8900646	Screw 20 Torx SS	6 Pcs	
513	8074015	CABLE BRACKET DOOR	1 Pcs	
522	8057964	Locking ring turbo fan 05	1 Pcs	
522-a	8902085	Screw 20T for Plastic	2 Pcs	
523	8057984	Push Button Grey 1706/1716 DW	1 Pcs	
523-a	8900646	Screw 20 Torx SS	2 Pcs	
523-b	8902357	Screw	2 Pcs	
524	8076160-33	NOZZLE AIR DUCT	1 Pc's	
526	8058484	SS Coverplate Turbo Fan DW	1 Pcs	
526-a	8902085	Screw 20T for Plastic	2 Pcs	
529	8073612	BRACKET FOR HARNESS	1 Pcs	
529	8074278	Bracket for harness	1 Pcs	



## Control panel and related parts

### ASKO, D3432 XL US - SS Bi (DW20.3)

Pos	Spare part No.	Description	Qty	Comment
601	8077301-81-UL	PANEL ASKO 3432(343T) GRAP UL4	1 Pcs	
602	8075161	PROG.INFO.LABEL 343F/T FR	1 Pcs	
602	8075706	PROG.INFO.LABEL 343F/T AU/US	1 Pcs	
602	8077300	PROG.INFO.LABEL 343F/T ES	1 Pcs	
602	8078192	PROG.INFO.LABEL 343F/T AU/US	1 Pcs	
602	8078207	PROG.INFO.LABEL ASKO 343F FR	1 Pcs	
602	8078313	PROG.INFO.LABEL ASKO 343F/T ES	1 Pcs	
603	8074996	DECOR PLATE ASKO 343T/FI GRAP	1 Pcs	
604	8074277	SPRING MAIN SWITCH	1 Pcs	
607	8801282	CONTROL.UNIT DW20.3 US F.DISH	1 Pcs	
608	8073788	Thermistor	1 Pcs	
608-a	8076839	thermistor spacer	1 Pcs	
609	8073782	MAIN PUSH SWITCH	1 Pcs	
614	8075736	cabl set	1 Pcs	
617	8075737	CABLE SET FLOW SENSOR	1 Pcs	
618	8075738	cabl set power	1 Pcs	
620	8075730	cabl set fan	1 Pcs	
622	8075731	CABLE SET DRAIN	1 Pcs	
624	8073470-81	Cover for Handle Metal Gray	1 Pcs	
627	8074464	SPRING FOR LID HANDLE	1 Pcs	
629	8075078-81	Push Button Main Switch Graphi	1 Pcs	
647	8072906	Catch Handle	1 Pcs	
649	8072908	SPRING LOCK	1 Pcs	
649	8075790	Spring Door Lock Handle	1 Pcs	
650	8072907	Control Arm Safety Catch	1 Pcs	
651	8073836	MICROSWITCH DOOR	1 Pcs	
652	8057545	Rotary catch child safety 05	1 Pcs	
654	8075722-81	PUSHBUTTONS ASKO DW343T/FI	1 Pcs	
655	8072905	Protection Catch	1 Pcs	
655-a	8902085	Screw 20T for Plastic	2 Pcs	
690	8077175	INSTRUCTIONS D3432-343T US ENG	1 Pcs	
690	8077176	INSTRUCTIONS D3432-343T USA FR	1 Pcs	
690	8077177	INSTRUCTIONS D3432-343T USA ES	1 Pcs	
690	8078314	INSTRUCTIONS D3432-343T US ENG	1 Pcs	
690	8078315	INSTRUCTIONS D3432-343T USA FR	1 Pcs	
690	8078316	INSTRUCTIONS D3432-343T USA ES	1 Pcs	